



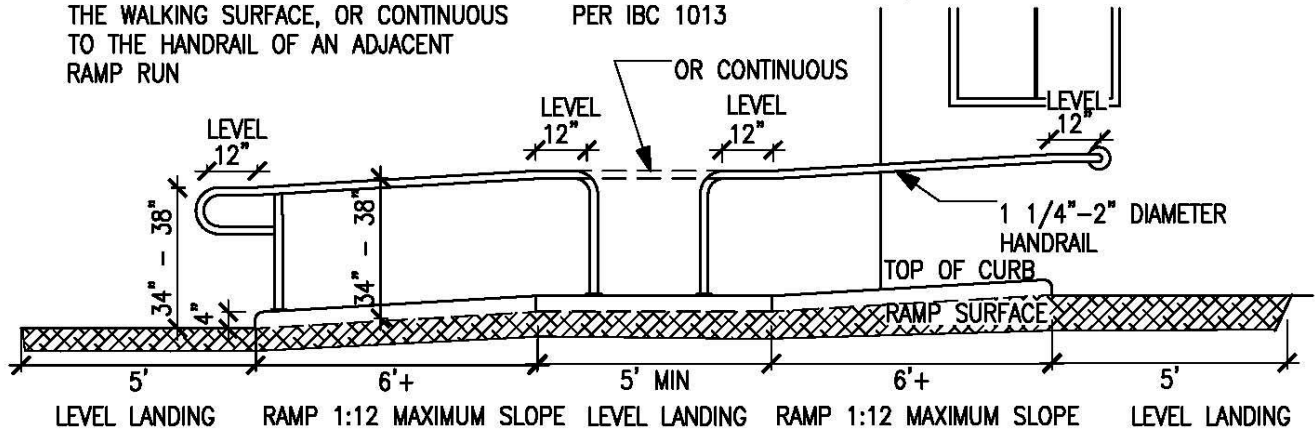
Cayman Islands Government  
 Department of Planning  
 P.O. Box 113, Grand Cayman KY1-9000  
 Phone: (345) 769-7526 Fax: (345) 769-2922  
 Web: [www.planning.gov.ky](http://www.planning.gov.ky)

## ACCESSIBLE RAMP

TYPICAL HANDRAIL EXTENSION BEYOND RAMP RETURN TO A WALL, GUARD, OR THE WALKING SURFACE, OR CONTINUOUS TO THE HANDRAIL OF AN ADJACENT RAMP RUN

### GUARDRAILS

GUARDRAILS MAY ALSO BE REQUIRED PER IBC 1013

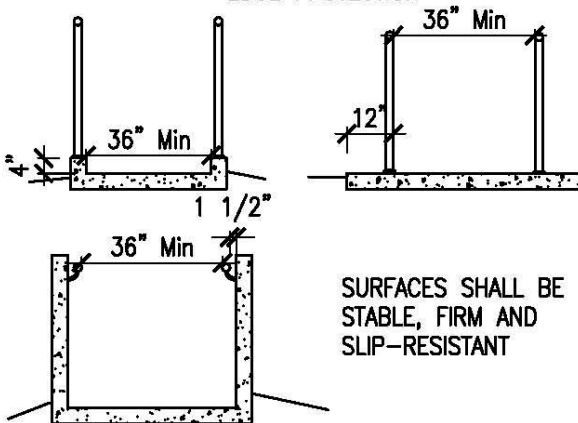


HANDRAILS ARE REQUIRED WHEN RAMP RISE EXCEEDS 6" OR RAMP RUN EXCEEDS 6'

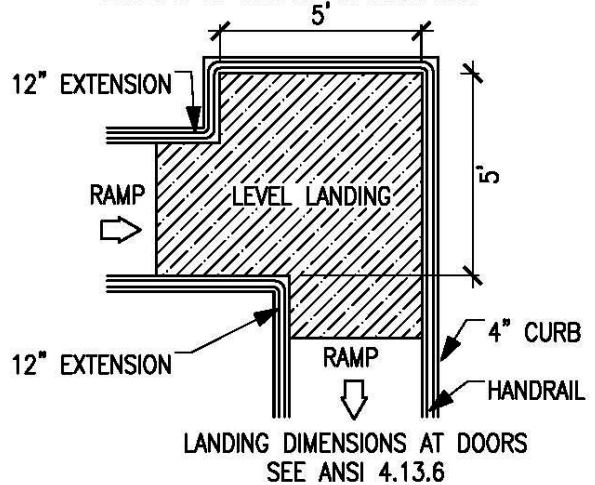
INTERMEDIATE LANDING REQUIRED AT EACH 30" RISE

CROSS SLOPE OF RAMPS, LANDINGS, AND WALKWAYS IS LIMITED TO 1:48

### EDGE PROTECTION



### LANDING AT CHANGE IN DIRECTION



A SLOPE OF LESS THAN 1:20 IS NOT A RAMP AND NEED NOT COMPLY WITH THIS STANDARD.