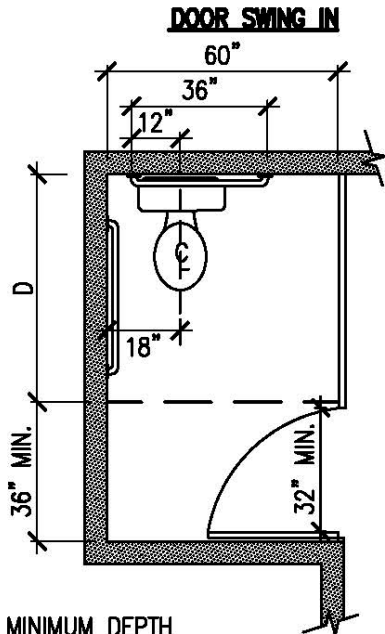




Cayman Islands Government
Department of Planning
P.O. Box 113, Grand Cayman KY1-9000
Phone: (345) 769-7526 Fax: (345) 769-2922
Web: www.planning.gov.ky

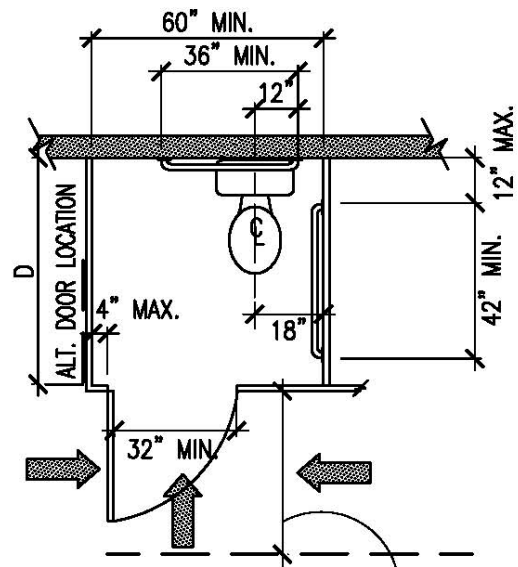
ACCESSIBLE TOILET STALLS

STANDARD STALLS

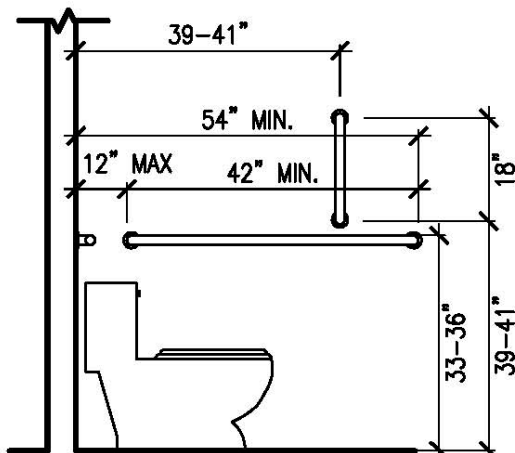


MINIMUM DEPTH
D=62" WALL MOUNTED W.C.
D=65" FLOOR MOUNTED W.C.

DOOR SWING OUT

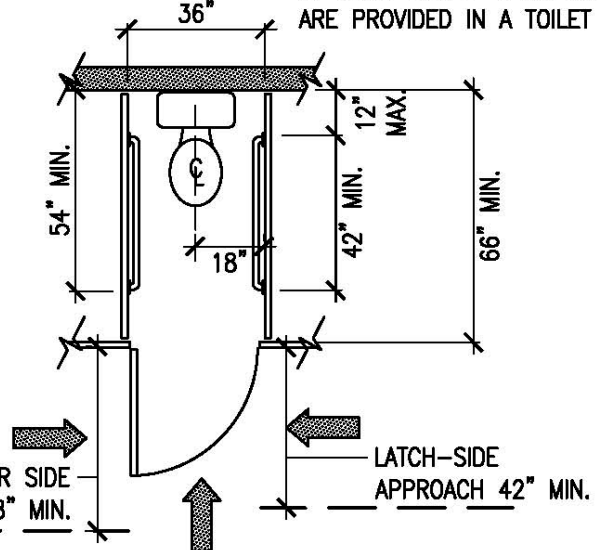


LATCH-SIDE APPROACH 42" MIN.
OTHER APPROACHES SEE ANSI 4.13



SIDE WALL GRAB BAR DETAIL

AT LEAST ONE IF 6 OR MORE STALLS
ARE PROVIDED IN A TOILET ROOM.



AMBULATORY STALL