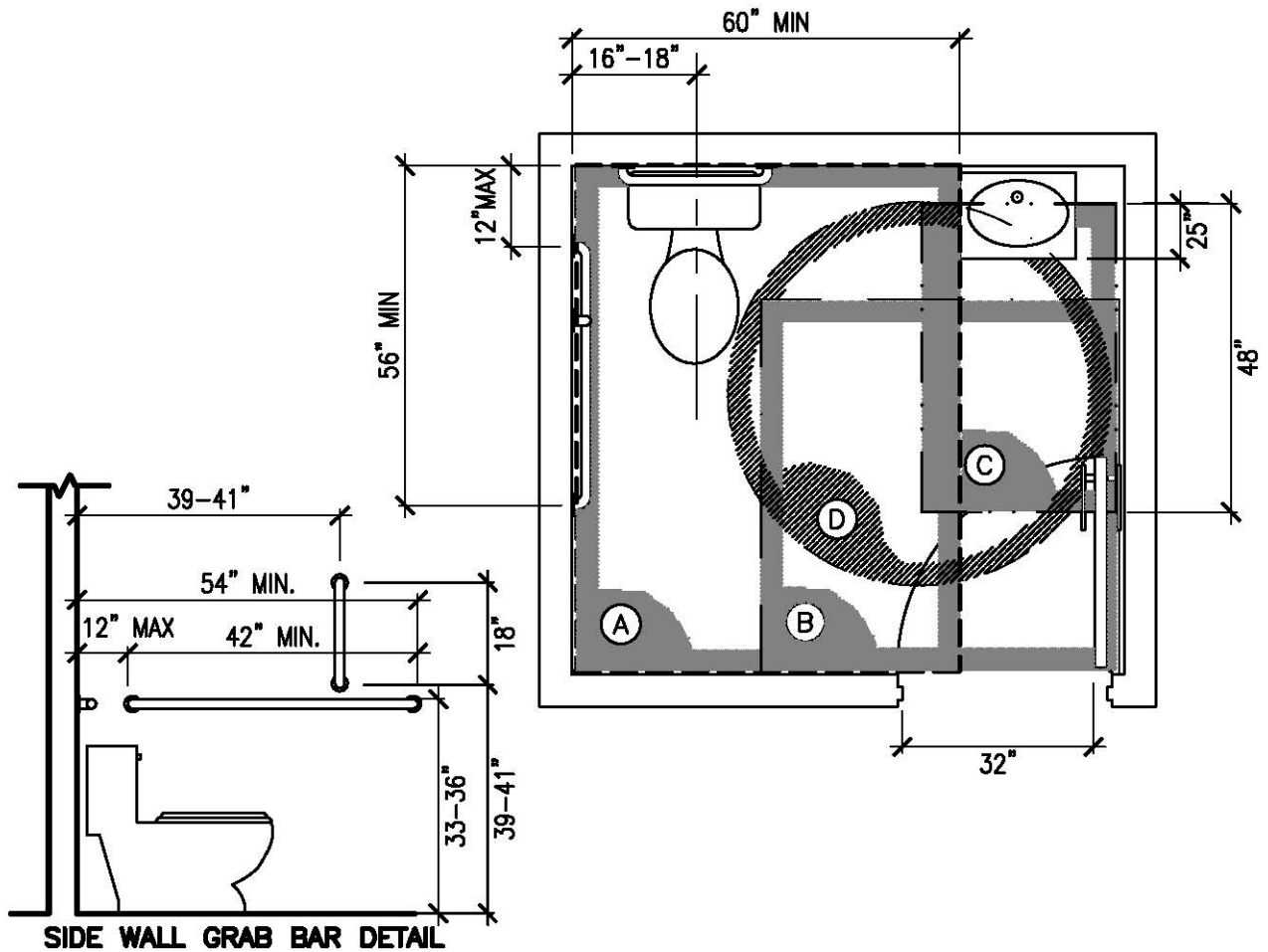




Cayman Islands Government
Department of Planning
P.O. Box 113, Grand Cayman KY1-9000
Phone: (345) 769-7526 Fax: (345) 769-2922
Web: www.planning.gov.ky

ACCESSIBLE TOILET



SIDE WALL GRAB BAR DETAIL

- (A) CLEAR FLOOR SPACE AT WATERCLOSET
- (B) CLEAR FLOOR SPACE AT DOOR PER ICC/ANSI CHAPTER 4
- (C) CLEAR FLOOR SPACE AT LAVATORY 30"X 48" FOR FORWARD APPROACH AND MAY EXTEND A MAXIMUM OF 25" UNDER THE LAVATORY.
- (D) WHEELCHAIR TURNING SPACE; 60" DIAMETER CIRCLE OR T-SHAPE PER ANSI 4.2.3. CLEAR FLOOR SPACES MAY OVERLAP EACH OTHER.

DOORS SHALL NOT SWING INTO THE CLEAR FLOOR SPACE REQUIRED FOR ANY FIXTURE UNLESS THE TOILET ROOM IS FOR INDIVIDUAL USE ONLY OR A CLEAR FLOOR SPACE 30"X48" IS PROVIDED BEYOND THE ARC OF THE DOOR SWING IN THE TOILET ROOM.