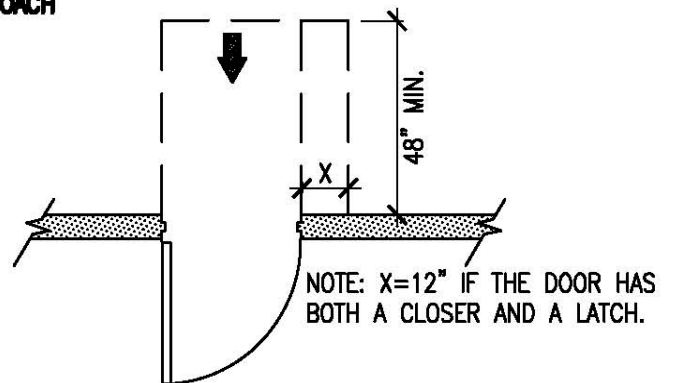
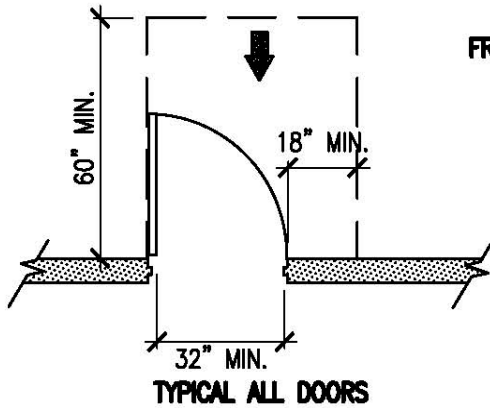


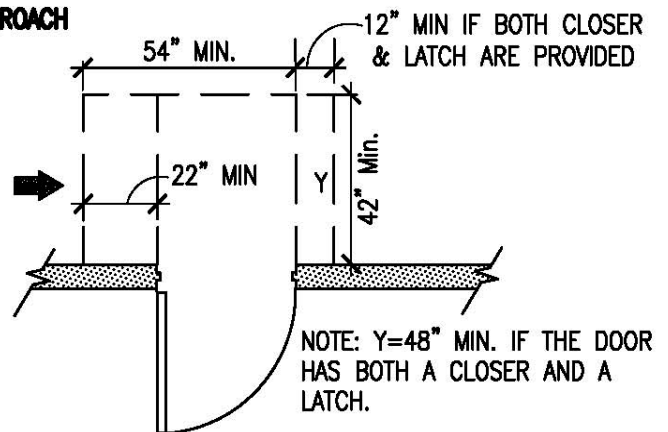
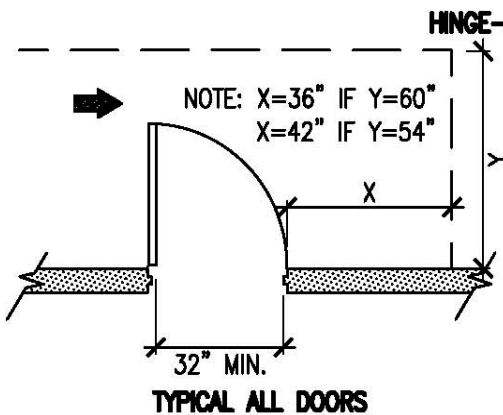


Cayman Islands Government
 Department of Planning
 P.O. Box 113, Grand Cayman KY1-9000
 Phone: (345) 769-7526 Fax: (345) 769-2922
 Web: www.planning.gov.ky

CLEARANCE AT DOORWAYS

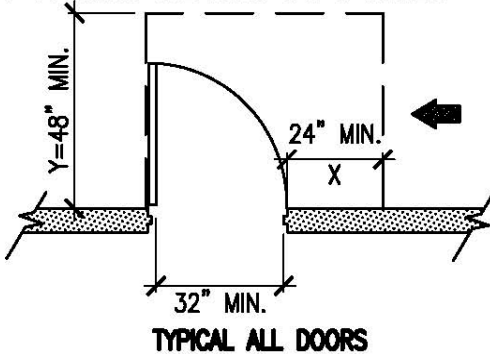


NOTE: ALL DOORS IN ALCOVES SHALL COMPLY WITH THE CLEARANCES FOR FRONT APPROACHES.



LATCH-SIDE APPROACH

NOTE: Y=54" MIN. IF THE DOOR HAS A CLOSER.



NOTE: Y=48" MIN. IF THE DOOR HAS A CLOSER.

